

PROCESSOR
252 SHEET 4
DSP AUDIO

RECEIVER
246 GND RX-ANT SHEET 3

SYNTH-VCO
2922 GND VCO sheet 6

POWER-AMP
93 GND RX-ANT SHEET 2

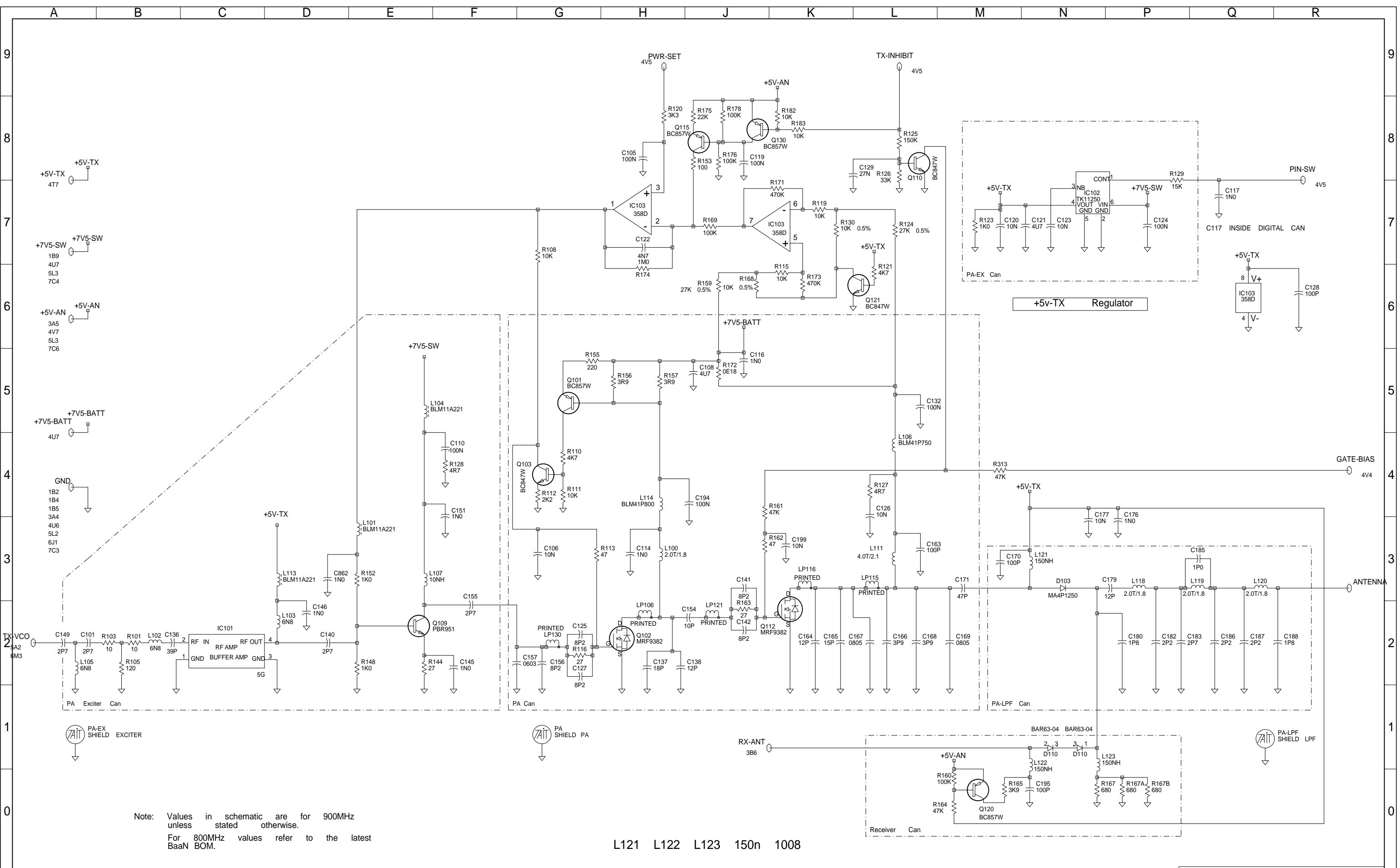
Interface PCB

Accessory Connector

03C	REGENERATED PLA CCO. 1610-006	BRD	SP	CK	DW	29-11-99
03B	VALUE CHANGES CCO. 1610-005	BRD	SP	CK	DW	02/11/99
03A	CCN NO.1610/003	BRD				13/10-99
02D	REGENERATE PLC & PLA FILES CCN No.1610-002	TS				05-10-99
02C	4 SP.PINS NOW SMD. SEALS NONSMD CCN No.1610-001	TS				17-09-99
02B	REFRESHED SAFC957/860 & 0E18U	BRD				02/07/99
REV/ISS	AMENDMENTS	DRAWN	CHKD	D.O.	APVD	DATE
		06A				24-04-01
		05A				17-04-01
		04A				08-12-00

© **TAIT ELECTRONICS**
ORCA TOP:800/900MHZ SYSTEM DIAGRAM
IPN: 220-01610-06 ISSUE: A ID: 2.S.C. 1
PROJECT: ORCA BRD 161006a DESIGNER: FILE NAME: 161006a DATE: 26-Apr-01 NO.SHEETS: 7



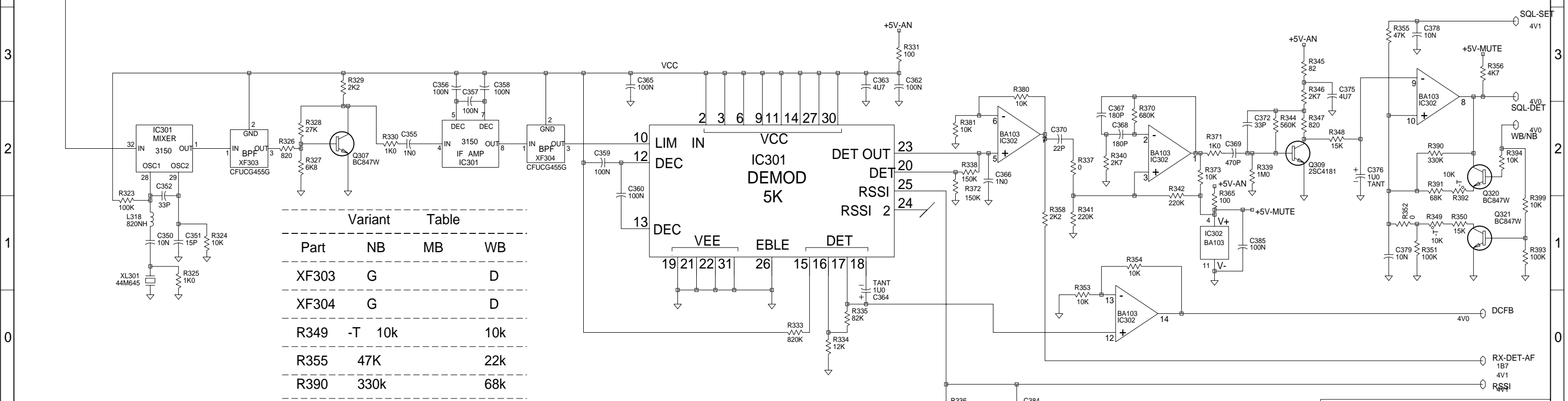
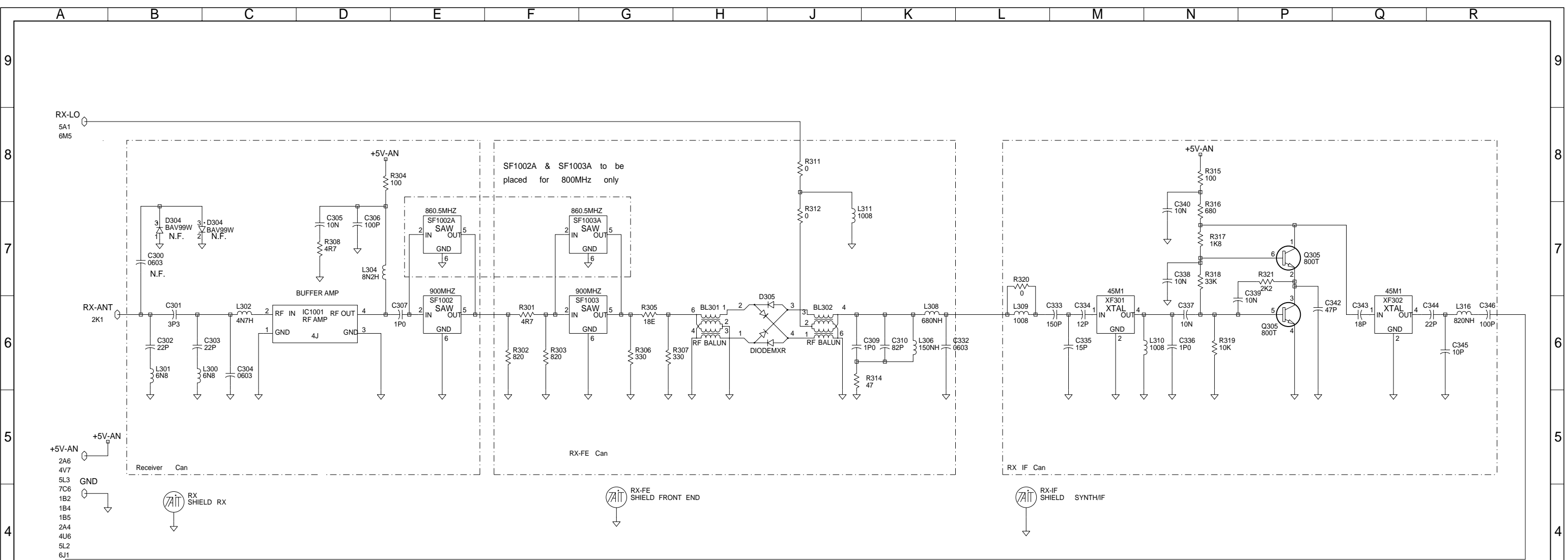


Note: Values in schematic are for 900MHz unless stated otherwise.
 For 800MHz values refer to the latest BaaN BOM.

L121 L122 L123 150n 1008

© TAIT ELECTRONICS	
ORCA TOP:800/900MHZ POWER AMPLIFIER	
IPN: 220-01610-06	ISSUE: A
DESIGNER: ORCA	FILE NAME: BRD
FILE DATE: 161006a	NO. SHEETS: 7
DATE: 26-Apr-01	2.S.C. 2

REV/ISS	AMENDMENTS	DRAWN	CHKD	D.O.	APVD	DATE
A						



Variant Table

Part	NB	MB	WB
XF303	G		D
XF304	G		D
R349	-T 10k		10k
R355	47K		22k
R390	330k		68k
C369	470p		330P

REV/ISS	AMENDMENTS	DRAWN	CHKD	D.O.	APVD	DATE
A						

© TAIT ELECTRONICS

ORCA TOP:800/900MHZ RECEIVER

IPN: 220-01610-06

ISSUE: A

ID: 2.S.C. 3

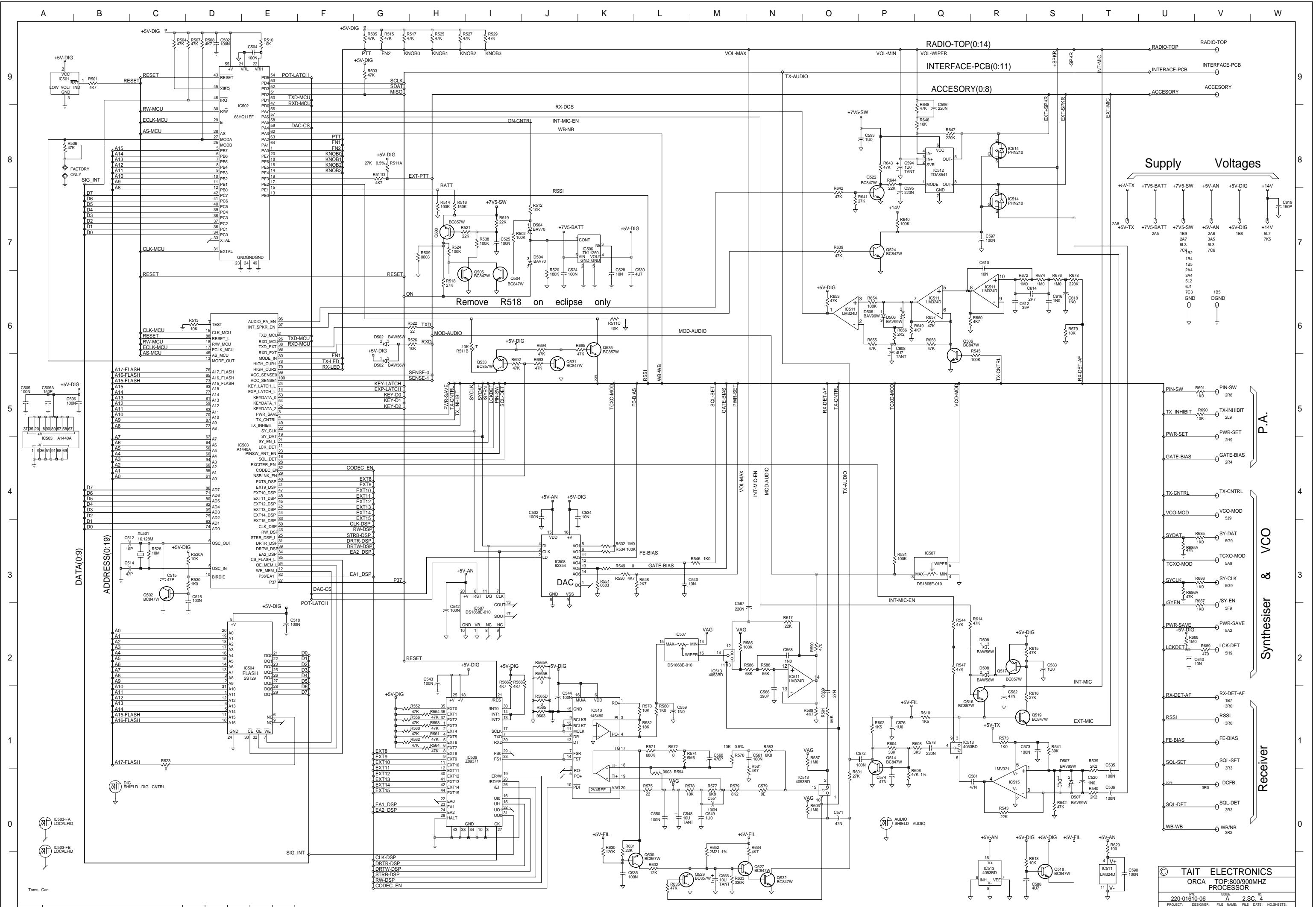
PROJECT: ORCA

DESIGNER: BRD

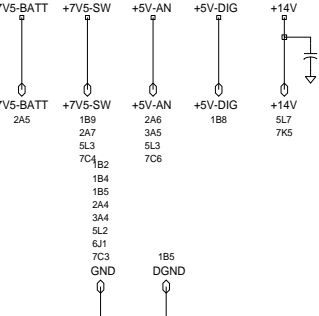
FILE NAME: 161006a

FILE DATE: 26-Apr-01

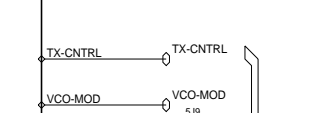
NO.SHEETS: 7



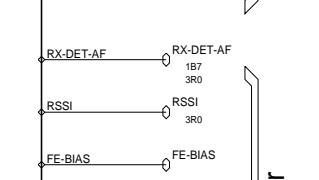
Supply Voltages



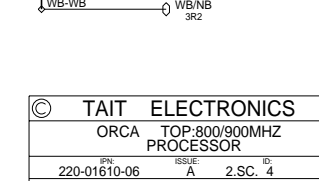
P.A.



Synthesiser & VCO

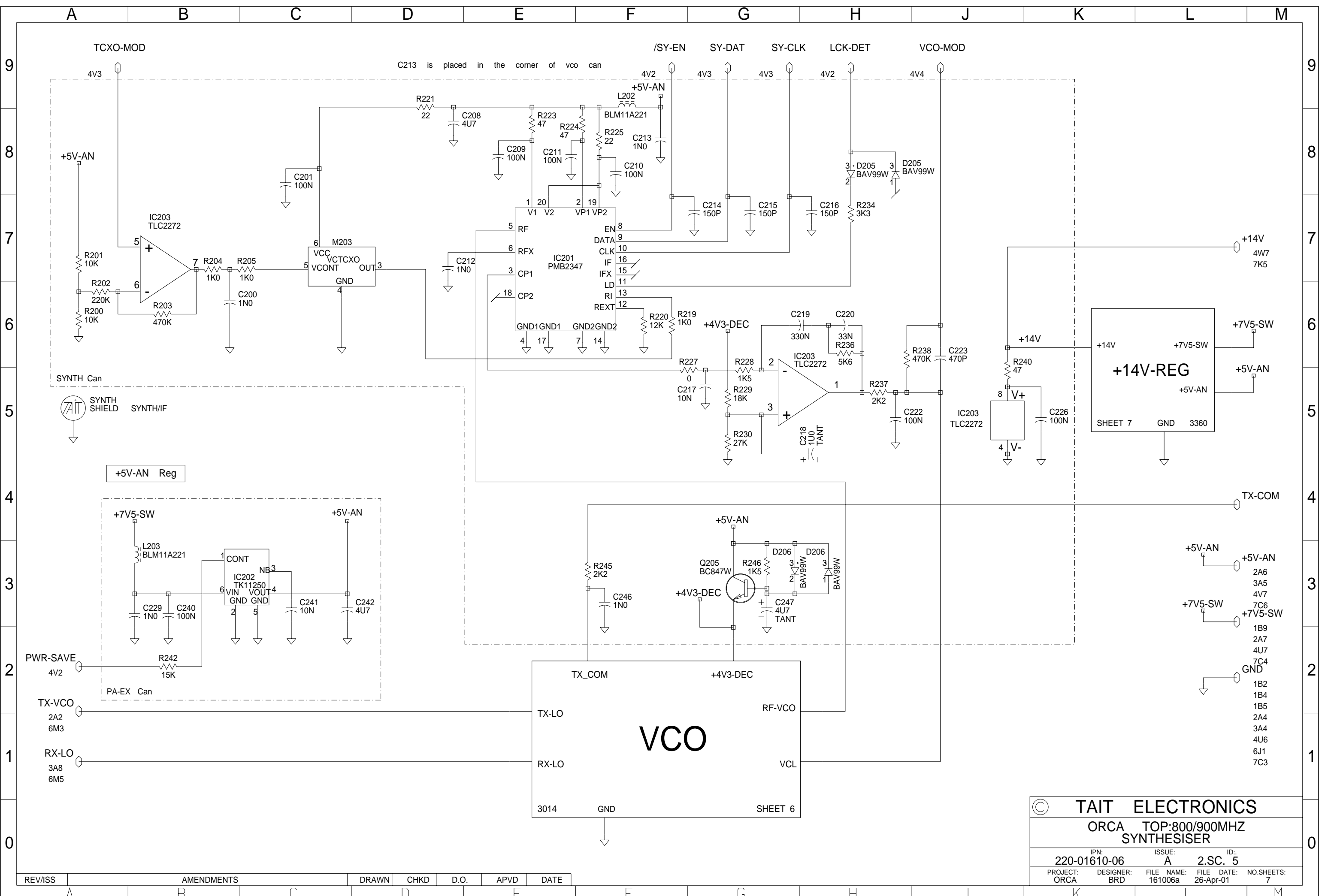


Receiver



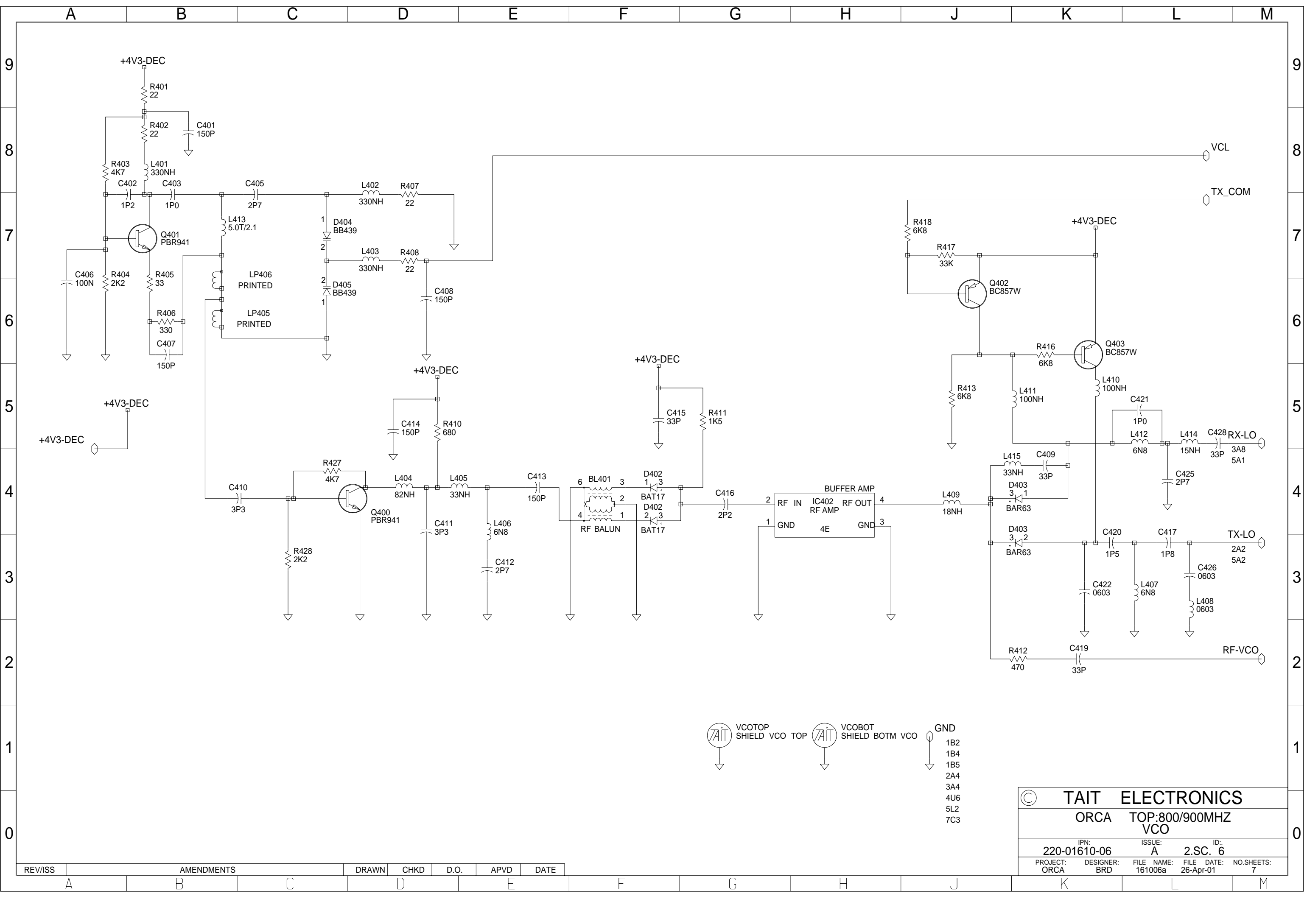
© TAIT ELECTRONICS
 ORCA TOP:800/900MHZ PROCESSOR
 220-01610-06 2-SC-4
 PROJECT: DESIGNER: FILE NAME: FILE DATE: NO SHEETS: 7
 ORCA BRD 161006a 26-Apr-01

REV/ISS	AMENDMENTS	DRAWN	CHKD	D.O.	APVD	DATE
A						
B						
C						
D						
E						
F						
G						
H						
I						
J						
K						
L						
M						
N						
O						
P						
Q						
R						
S						
T						
U						
V						
W						



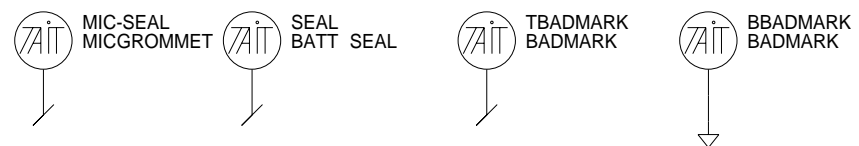
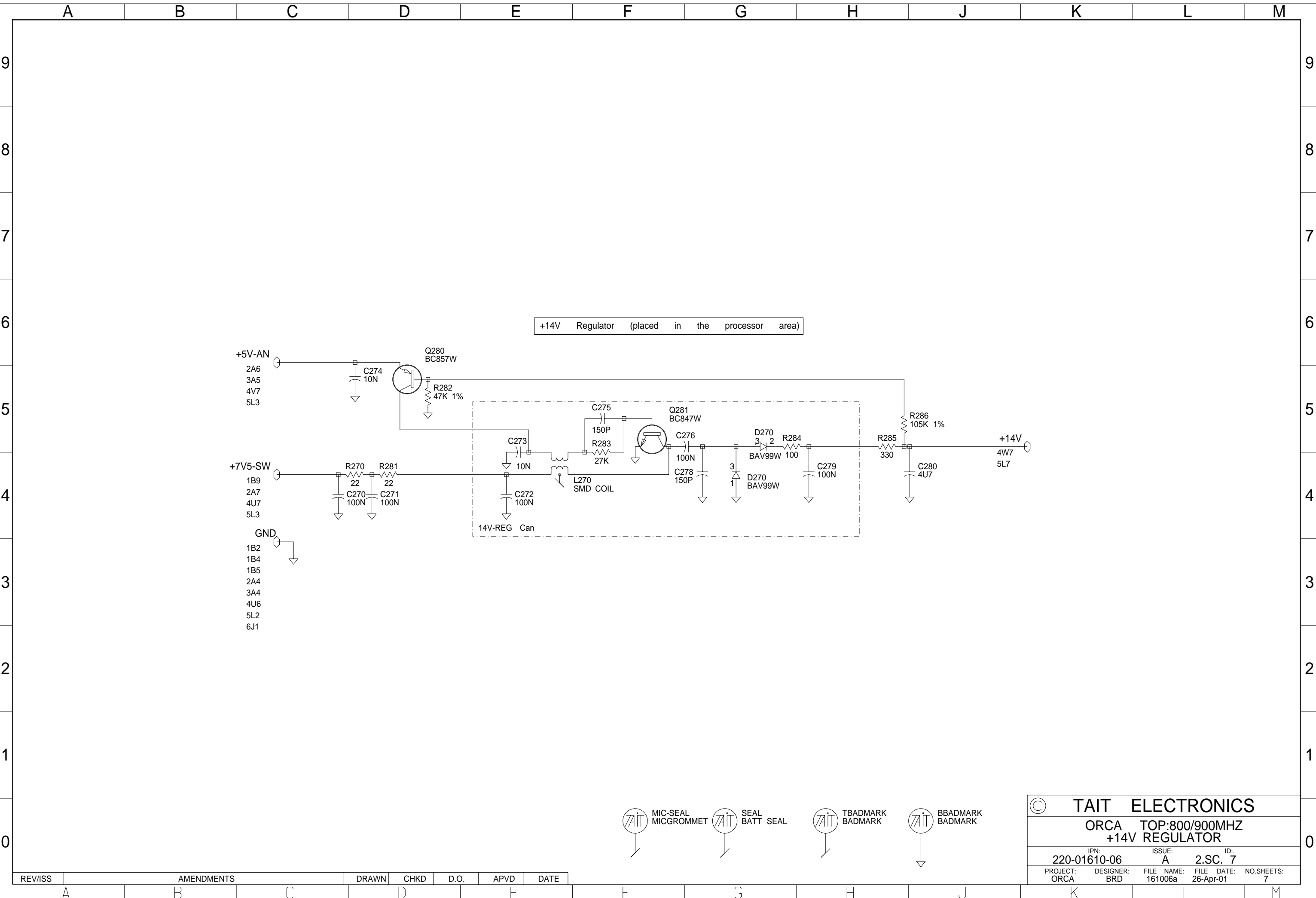
© TAIT ELECTRONICS
 ORCA TOP:800/900MHZ SYNTHESIZER
 IPN: 220-01610-06 ISSUE: A ID: 2.SC. 5
 PROJECT: ORCA DESIGNER: BRD FILE NAME: 161006a FILE DATE: 26-Apr-01 NO.SHEETS: 7

REV/ISS	AMENDMENTS	DRAWN	CHKD	D.O.	APVD	DATE



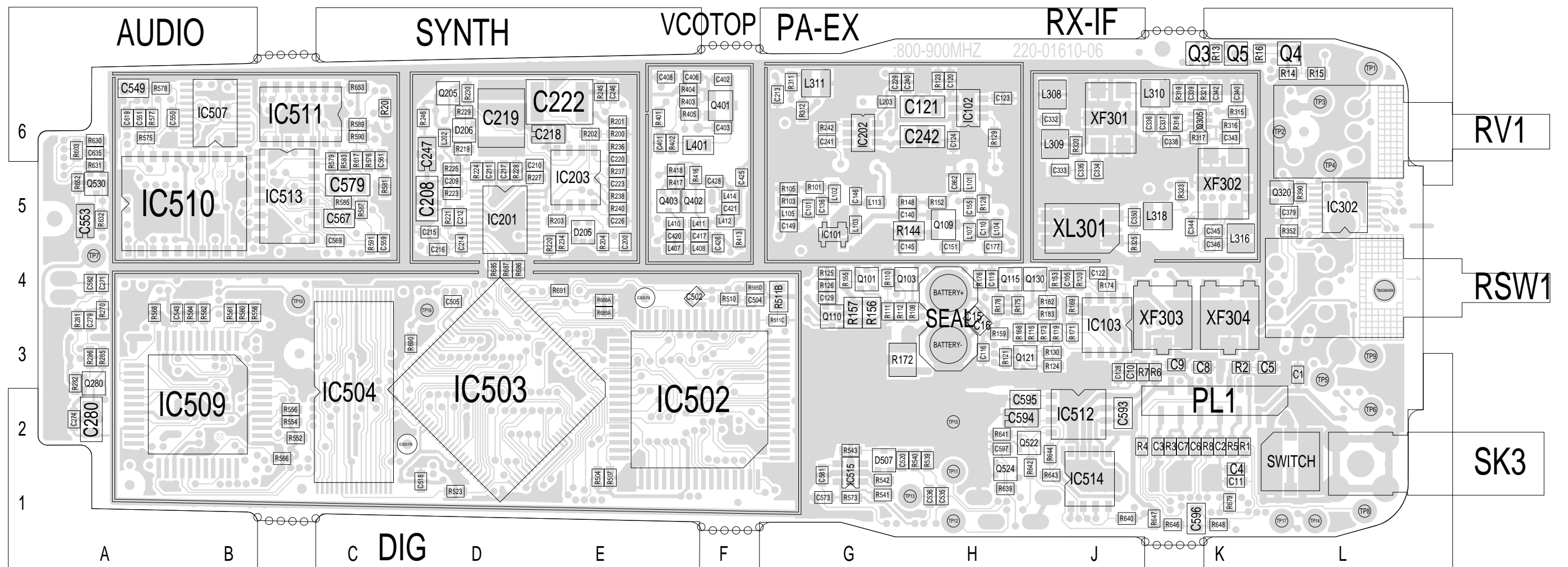
© TAIT ELECTRONICS
 ORCA TOP:800/900MHZ VCO
 IPN: 220-01610-06 ISSUE: A ID: 2.SC. 6
 PROJECT: ORCA DESIGNER: BRD FILE NAME: 161006a FILE DATE: 26-Apr-01 NO.SHEETS: 7

REV/ISS	AMENDMENTS	DRAWN	CHKD	D.O.	APVD	DATE



© TAIT ELECTRONICS				
ORCA TOP:800/900MHZ +14V REGULATOR				
IPN: 220-01610-06		ISSUE: A		ID: 2.SC. 7
PROJECT: ORCA	DESIGNER: BRD	FILE NAME: 161006a	FILE DATE: 26-Apr-01	NO.SHEETS: 7

REV/ISS	AMENDMENTS	DRAWN	CHKD	D.O.	APVD	DATE



TAIT ELECTRONICS IPN: 220-01610-06 ISS: A ID: 1.TA DATE: 3 May 2001
:800-900MHZ PCB LAYOUT - TOP SIDE

Scale: 2.3:1 ; Rotation: 0 degrees

